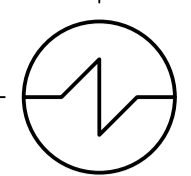
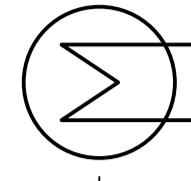

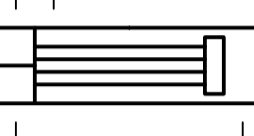
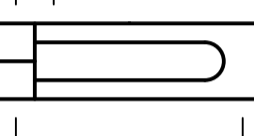
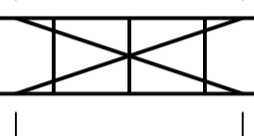
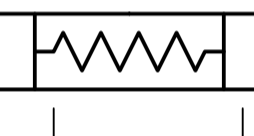
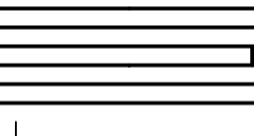
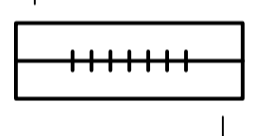
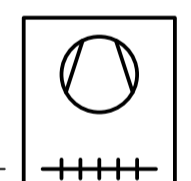
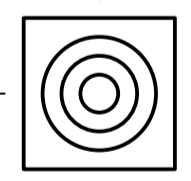
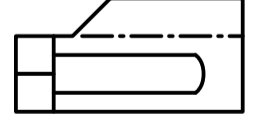
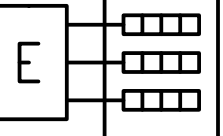
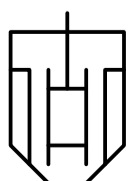
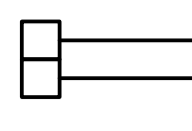
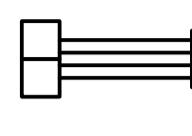
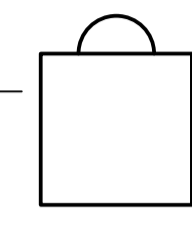


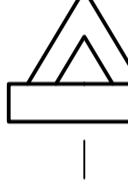
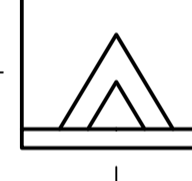
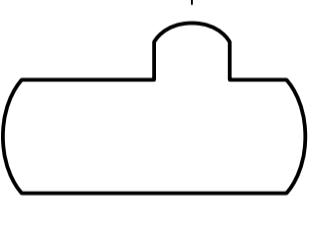

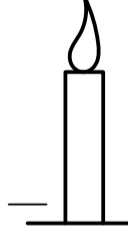
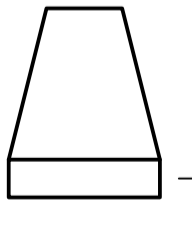
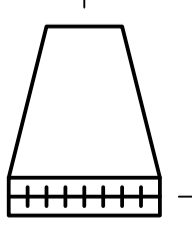


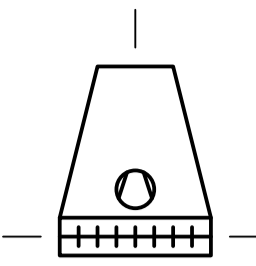
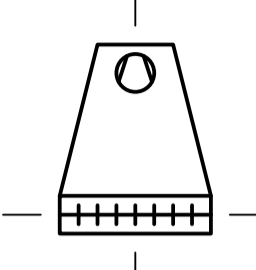
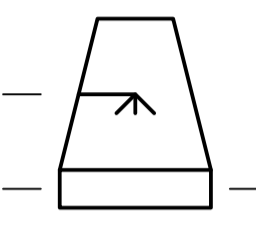
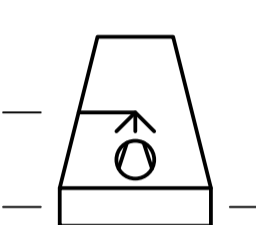
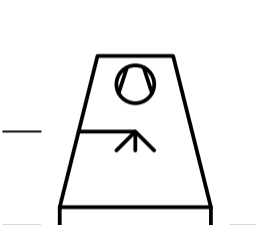
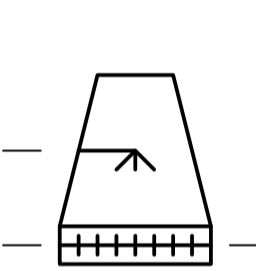
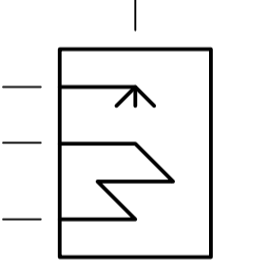
GROUP 3 – HEAT EXCHANGERS

-  REG#:X8079
DESC:Heat exchanger (general), condenser
-  REG#:X8017
DESC:Heat exchanger (M-shape)
-  REG#:2511
DESC:Heat exchanger with straight tubes (fixed-tube plates)
-  REG#:2512
DESC:Heat exchanger of floating head type
-  REG#:2513
DESC:Heat exchanger with U-shaped tubes
-  REG#:2516
DESC:Heat exchanger of plate type
-  REG#:2514
DESC:Heat exchanger with coil shaped tubes
-  REG#:2515
DESC:Heat exchanger of double-pipe type
-  REG#:X8018
DESC:Heat exchanger with finned tube
-  REG#:X2505
DESC:Heat exchanger with finned tube and fan
-  REG#:2517
DESC:Heat exchanger of spiral type
-  REG#:X8131
DESC:Evaporator, re-boiler
-  REG#:X8132
DESC:Electric heater
-  REG#:X8133
DESC:Thin-film evaporator

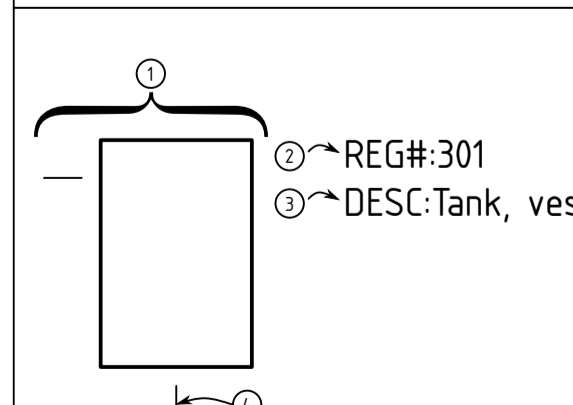
GROUP 4 – STEAM GENERATORS, FURNACES, RECOOLING DEVICE

-  REG#:X8136
DESC:Tube bundle, heat exchanger with U-shaped tubes
-  REG#:X8137
DESC:Tube bundle, heat exchanger of floating head type
-  REG#:2532
DESC:Boiler with dome
-  REG#:X8103
DESC:Steam generator with hot liquid as generating media
-  REG#:2533
DESC:Furnace
-  REG#:X8107
DESC:Firing system, burner (general)
-  REG#:X8106
DESC:Combustion chamber
-  REG#:X8108
DESC:Vessel with dome
-  REG#:2041
DESC:Stack, chimney
-  REG#:2591
DESC:Gas flare
-  REG#:2521
DESC:Cooling tower (general)
-  REG#:X8109
DESC:Cooling tower, dry with natural draught

GROUP 5 – COOLING TOWER

-  REG#:X8110
DESC:Cooling tower, dry with forced draught
-  REG#:X8111
DESC:Cooling tower, dry with induced draught
-  REG#:X8112
DESC:Cooling tower, wet with natural draught
-  REG#:X8113
DESC:Cooling tower, wet with forced draught
-  REG#:X8114
DESC:Cooling tower, wet with induced draught
-  REG#:X8115
DESC:Cooling tower, wet-dry with natural draught
-  REG#:X2504
DESC:Spray cooler

LEGEND



- ① Graphical symbol
- ② Registration number
- nnn ISO 14617 graphical symbol
- Cnnn ISO 14617 graphical symbol (prelim.)
- X2nnn ISO 14617 symbol example
- X8nnn ISO 10628-2 symbol example
- ③ ISO 10628-2 description
- ④ Preferred connection locations

Legal owner Steven Baltakatei Sandoval		Document type Drawing Legend	Document status Released
Source https://wiki/dgA		Drawing identification number BK-2020-04-PID-1	
Created by SBS	Approved by -----	License CC BY-SA 4.0	Date of issue 2020-10-01
		ISO 10628-2:2012 Groups 3-5	Lang en
			Sheet 2/7
			Rev J