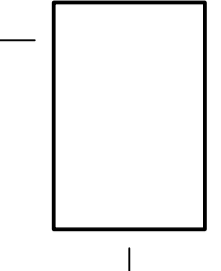
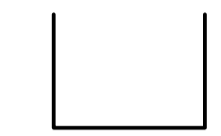
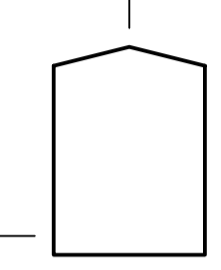
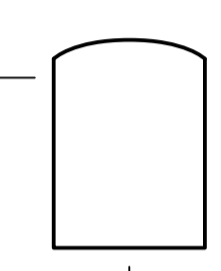
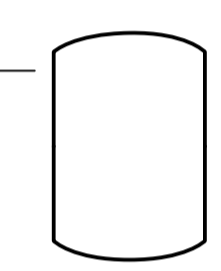
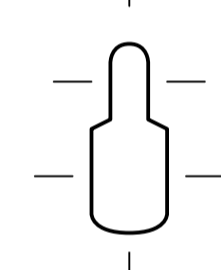
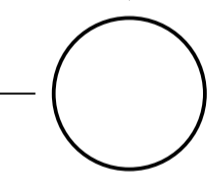
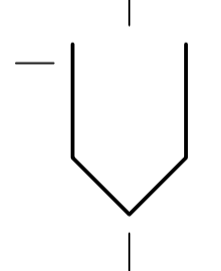
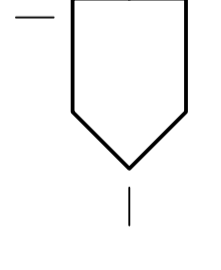
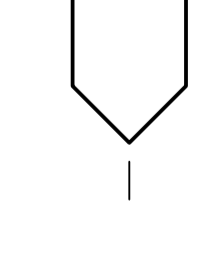
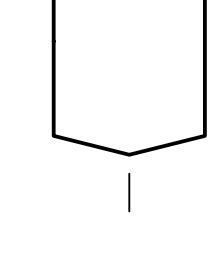
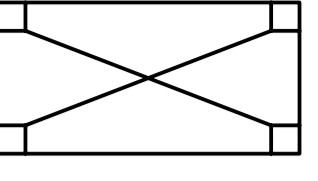
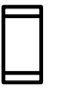


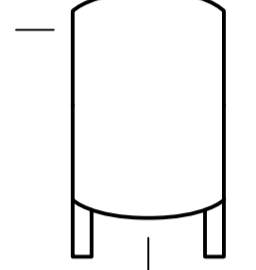
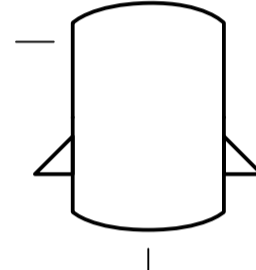
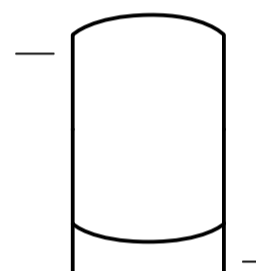
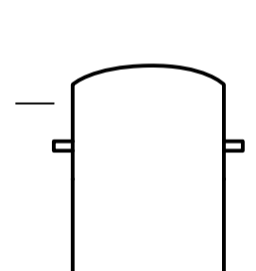
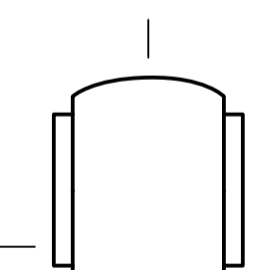
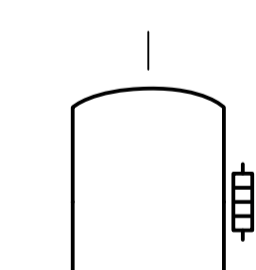
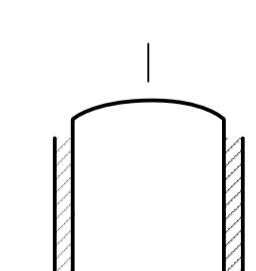
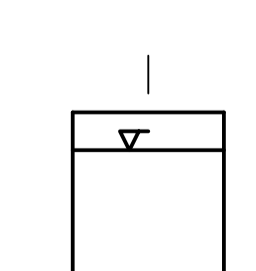
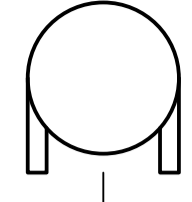
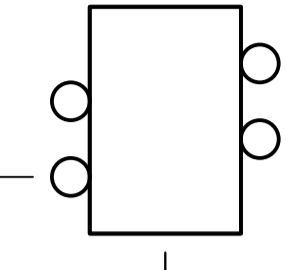
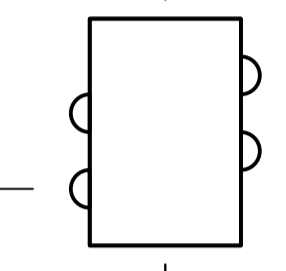
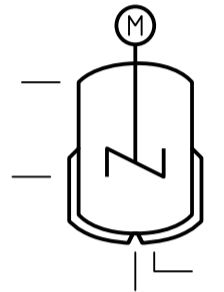
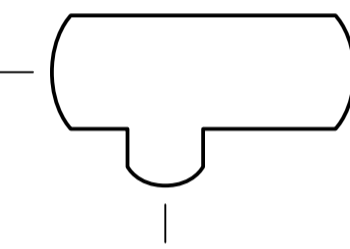



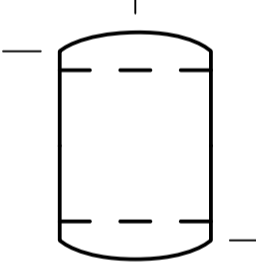
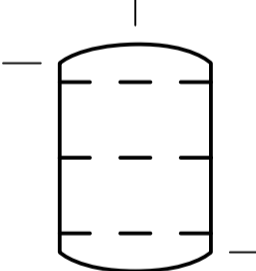
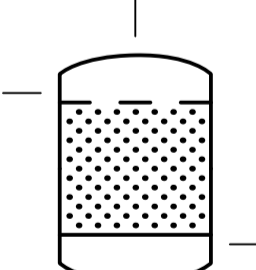
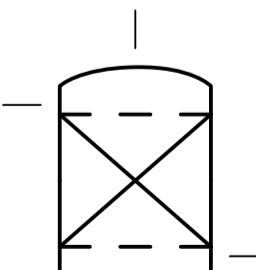
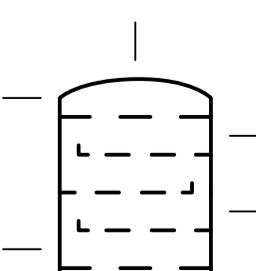
GROUP 1 – VESSELS AND TANKS

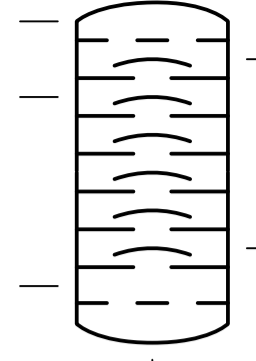
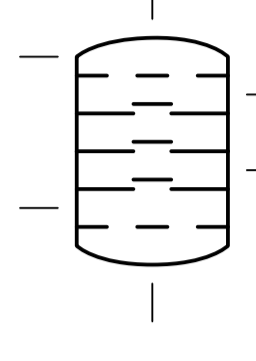
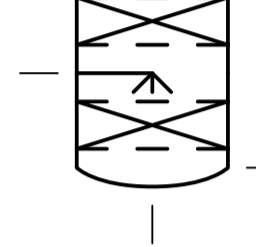
-  REG#:301
DESC:Tank, vessel
-  REG#:2061
DESC:container, tank, cistern
-  REG#:X2063
DESC:Tank with conical roof and flat bottom
-  REG#:X8200
DESC:Tank with dished roof
-  REG#:2062
DESC:Tank, vessel with dished ends
-  REG#:X8201
DESC:Vessel with two different diameters
-  REG#:2063
DESC:Spherical vessel
-  REG#:2064
DESC:Bunker with conical bottom
-  REG#:X2062
DESC:Closed tank with conical bottom
-  REG#:X8008
DESC:Vessel with dished roof and conical bottom
-  REG#:X8009
DESC:Vessel with conical roof and bottom

-  REG#:C0001
DESC:Container for solids, liquids, gases
-  REG#:2067
DESC:Barrel, drum
-  REG#:C0002
DESC:Gas cylinder
-  REG#:2068
DESC:Bag
-  REG#:X8002
DESC:Vessel with dished ends and support legs
-  REG#:X8003
DESC:Vessel with dished ends and support brackets
-  REG#:X8004
DESC:Vessel with dished ends and support skirt
-  REG#:X8005
DESC:Vessel with dished ends and support ring
-  REG#:X2069
DESC:Vessel with dished ends and heating/cooling jacket
-  REG#:X2070
DESC:Vessel with dished ends and electrical heating
-  REG#:X8098
DESC:Vessel with dished ends and thermal insulation
-  REG#:X8007
DESC:Vessel with dished bottom and surface indication

-  REG#:X8010
DESC:Spherical vessel on legs
-  REG#:X8000
DESC:Vessel with full-tube heating/cooling coil
-  REG#:X8001
DESC:Vessel with semi-tube heating/cooling coil
-  REG#:X8006
DESC:Jacketed vessel with dished ends and agitator driven by electric motor
-  REG#:X8202
DESC:Vessel with pit
-  REG#:2065
DESC:Open bulk storage

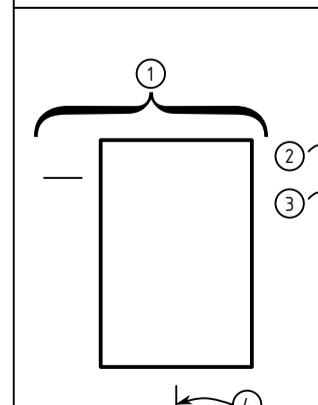
GROUP 2 – COLUMNS WITH INTERNALS

-  REG#:X8100
DESC:Column (general)
-  REG#:X8101
DESC:Tray column (general)
-  REG#:X8014
DESC:Column with fluidized bed
-  REG#:X8015
DESC:Column with fixed bed
-  REG#:X8013
DESC:Column staggered baffle trays

-  REG#:X8011
DESC:Column with bubble cap trays
-  REG#:X8012
DESC:Column with valve trays
-  REG#:X8016
DESC:Column with two fixed bed sections and intermediate spray nozzle

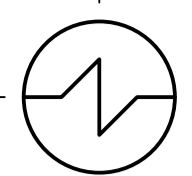
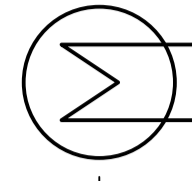
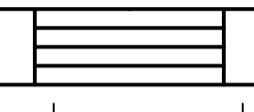
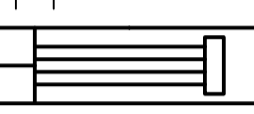
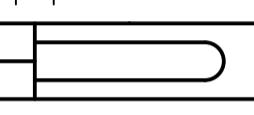
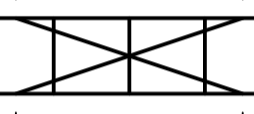
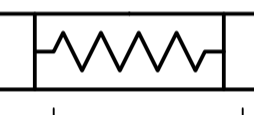
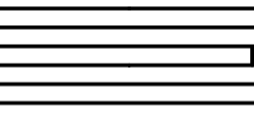
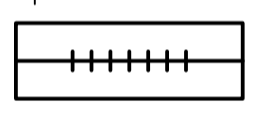
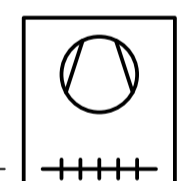
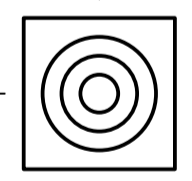
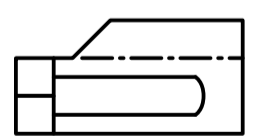
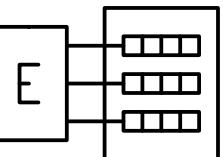

LEGEND

- ① Graphical symbol
- ② Registration number
- nnn ISO 14617 graphical symbol
- Cnnn ISO 14617 graphical symbol (prelim.)
- X2nnn ISO 14617 symbol example
- X8nnn ISO 10628-2 symbol example (other) See ISO 14617
- ③ ISO 10628-2 description
- ④ Preferred connection locations

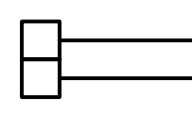
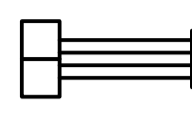
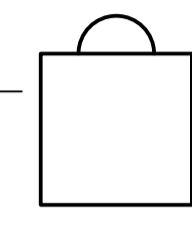


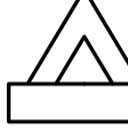
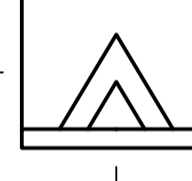
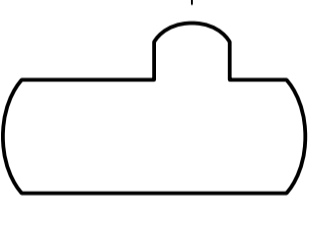

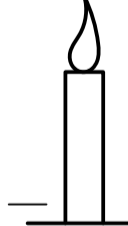
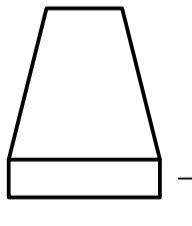
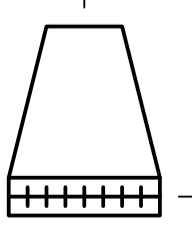


| | | | |
|---|----------------------|---|-----------------------------|
| Legal owner Steven Baltakatei Sandoval | | Document type Drawing Legend | Document status Released |
| Source https://wiki/dg9 | | Drawing identification number BK-2020-04-PID-1 | |
| Created by SBS | Approved by ----- | License CC BY-SA 4.0 | Date of issue 2023-03-01 |
| | | ISO 10628-2:2012 Groups 1-2 | Lang en |
| | | | Sheet 1/7 |
| | | | Rev G |

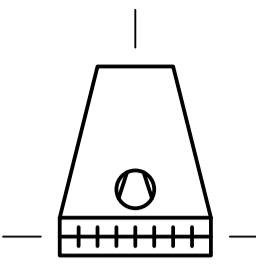
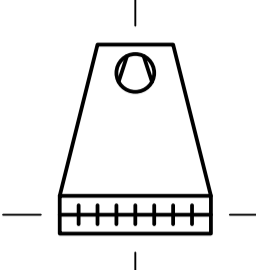
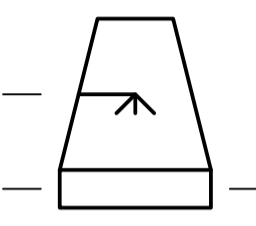
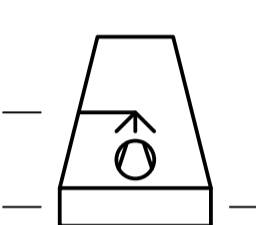
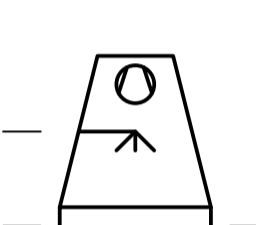
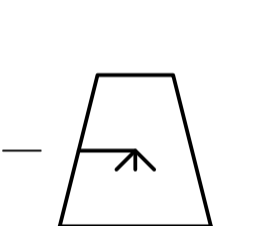
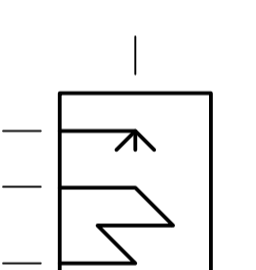
GROUP 3 - HEAT EXCHANGERS

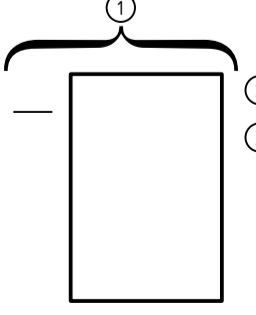

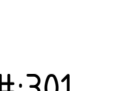

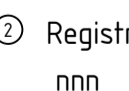
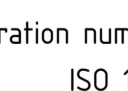
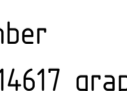
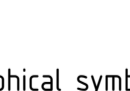
-  REG#:X8079
DESC:Heat exchanger (general), condenser
-  REG#:X8017
DESC:Heat exchanger (M-shape)
-  REG#:2511
DESC:Heat exchanger with straight tubes (fixed-tube plates)
-  REG#:2512
DESC:Heat exchanger of floating head type
-  REG#:2513
DESC:Heat exchanger with U-shaped tubes
-  REG#:2516
DESC:Heat exchanger of plate type
-  REG#:2514
DESC:Heat exchanger with coil shaped tubes
-  REG#:2515
DESC:Heat exchanger of double-pipe type
-  REG#:X8018
DESC:Heat exchanger with finned tube
-  REG#:X2505
DESC:Heat exchanger with finned tube and fan
-  REG#:2517
DESC:Heat exchanger of spiral type
-  REG#:X8131
DESC:Evaporator, re-boiler
-  REG#:X8132
DESC:Electric heater
-  REG#:X8133
DESC:Thin-film evaporator

GROUP 4 - STEAM GENERATORS, FURNACES, RECOILING DEVICE

-  REG#:X8136
DESC:Tube bundle, heat exchanger with U-shaped tubes
-  REG#:X8137
DESC:Tube bundle, heat exchanger of floating head type
-  REG#:2532
DESC:Boiler with dome
-  REG#:X8103
DESC:Steam generator with hot liquid as generating media
-  REG#:2533
DESC:Furnace
-  REG#:X8107
DESC:Firing system, burner (general)
-  REG#:X8106
DESC:Combustion chamber
-  REG#:X8108
DESC:Vessel with dome
-  REG#:2041
DESC:Stack, chimney
-  REG#:2591
DESC:Gas flare
-  REG#:2521
DESC:Cooling tower (general)
-  REG#:X8109
DESC:Cooling tower, dry with natural draught

GROUP 5 - COOLING TOWER

-  REG#:X8110
DESC:Cooling tower, dry with forced draught
-  REG#:X8111
DESC:Cooling tower, dry with induced draught
-  REG#:X8112
DESC:Cooling tower, wet with natural draught
-  REG#:X8113
DESC:Cooling tower, wet with forced draught
-  REG#:X8114
DESC:Cooling tower, wet with induced draught
-  REG#:X8115
DESC:Cooling tower, wet-dry with natural draught
-  REG#:X2504
DESC:Spray cooler

| LEGEND | |
|---|--|
|  | ① Graphical symbol |
|  | ② Registration number |
|  | nnn ISO 14617 graphical symbol |
|  | Cnnn ISO 14617 graphical symbol (prelim.) |
|  | X2nnn ISO 14617 symbol example |
|  | X8nnn ISO 10628-2 symbol example (other) See ISO 14617 |
|  | ③ ISO 10628-2 description |
|  | ④ Preferred connection locations |

| | | |
|----------------------------|-------------------------------|------------------|
| Legal owner | Document type | Document status |
| Steven Baltakatei Sandoval | Drawing Legend | Released |
| Source | Drawing identification number | |
| https://wiki/dgA | P&ID Symbols | BK-2020-04-PID-1 |
| Created by | Date of issue | Lang |
| SBS | 2023-03-01 | en |
| Approved by | License | Sheet |
| ----- | CC BY-SA 4.0 | 2/7 |
| | ISO 10628-2:2012 Groups 3-5 | Rev |
| | | K |

GROUP 6 – FILTERS, LIQUID FILTERS, GAS FILTERS

| | |
|--|---|
| | REG#:X8116 DESC:Liquid filter (general) |
| | REG#:X8117 DESC:Liquid filter, bag, candle or cartridge type |
| | REG#:X8118 DESC:Liquid bed filter fixed type |
| | REG#:8019 DESC:Suction filter |
| | REG#:X8119 DESC:Liquid rotary filter, drum or disc type |
| | REG#:X8120 DESC:Liquid rotary filter, drum or disc type with scraper |
| | REG#:X8121 DESC:Liquid filter, belt or roll type |
| | REG#:X2611 DESC:Filter press, press filter |
| | REG#:X8020 DESC:Liquid bed filter, ion exchanger type |
| | REG#:X8021 DESC:Liquid bed filter, biological type |
| | REG#:X8122 DESC:Gas filter (general) |

GROUP 7 – SCREENING DEVICES, SIEVES, AND RAKES

| | |
|--|---|
| | REG#:X8022 DESC:Gas filter, bag, candle or cartridge type |
| | REG#:X8023 DESC:Gas bed filter fixed type |
| | REG#:X8024 DESC:Gas filter, high efficiency particulate air filter HEPA type |
| | REG#:X8025 DESC:Gas filter, belt or roll type |
| | REG#:X8123 DESC:Screening device, sieve, strainer (general) |
| | REG#:X8026 DESC:Screening device, coarse rake type |
| | REG#:X8027 DESC:Screening device, fine rake type |
| | REG#:X8028 DESC:Screening device with coarse and fine screens |
| | REG#:X2605 DESC:Screening device, sieve, strainer, vibrating type |
| | REG#:X8029 DESC:Screening device, rotating drum type |
| | REG#:X8030 DESC:Screening device, basket reel type |

GROUP 8 – SEPARATORS

| | |
|--|---|
| | REG#:X8081 DESC:Separator, sifter (general) |
| | REG#:X2616 DESC:Impact separator |
| | REG#:X8031 DESC:Gravity separator, settling chamber |
| | REG#:X8124 DESC:Separator, scrubber wet type |
| | REG#:X2621 DESC:Spray scrubber |
| | REG#:X8125 DESC:Separator, precipitator electrostatic type |
| | REG#:X8033 DESC:Precipitator wet, electrostatic type |
| | REG#:X8126 DESC:Electromagnetic separator |
| | REG#:X8127 DESC:Permanent magnet separator |
| | REG#:X2618 DESC:Separator, cyclone type |
| | REG#:X8034 DESC:Separator, scrubber venturi type |

GROUP 9 – CENTRIFUGES

| | |
|--|---|
| | REG#:X8128 DESC:Solidifier for waste water treatment plant open type |
| | REG#:X8129 DESC:Solidifier closed type |
| | REG#:X2619 DESC:High speed centrifuge |
| | REG#:X2614 DESC:Centrifuge with perforated shell |
| | REG#:X8035 DESC:Centrifuge with solid shell |
| | REG#:X8036 DESC:Centrifuge, separator, disc type |
| | REG#:X8037 DESC:Centrifuge, screw-type, with perforated shell |
| | REG#:X8082 DESC:Decanter, centrifuge, screw-type with solid shell |
| | REG#:X8038 DESC:Centrifuge, pusher type |
| | REG#:X8039 DESC:Centrifuge, skimmer type |

LEGEND

- ① Graphical symbol
- ② Registration number
 - nnn ISO 14617 graphical symbol
 - Cnnn ISO 14617 graphical symbol (prelim.)
 - X2nnn ISO 14617 symbol example
 - X8nnn ISO 10628-2 symbol example (other) See ISO 14617
- ③ ISO 10628-2 description
- ④ Preferred connection locations

| | | |
|---|---|---|
| Legal owner Steven Baltakatei Sandoval | Document type Drawing Legend | Document status Released |
| Source https://wiki.dgB | Drawing identification number P&ID Symbols | Drawing identification number BK-2020-04-PID-1 |
| Created by SBS | Approved by ----- | Date of issue 2023-03-01 |
| License CC BY-SA 4.0 | ISO 10628-2:2012 Groups 6-9 | Lang en |
| | | Sheet 3/7 |
| | | Rev F |

GROUP 10 – DRIER

| | |
|--|--|
| | REG#:C0046 DESC:Drier (general) |
| | REG#:X8083 DESC:Drying oven, drying chamber, shelf drier |
| | REG#:X8040 DESC:Turbo drier, disc drier, moving shelf drier |
| | REG#:X8041 DESC:Fluidized bed drier |
| | REG#:X8042 DESC:Spray drier |
| | REG#:X8043 DESC:Belt drier, roller-conveyer type driver |
| | REG#:X8044 DESC:Rotary drum drier, rotary drier, tumbling drier |
| | REG#:C0016 DESC:Heat consumer |

GROUP 11 – CRUSHING/GRINDING MACHINES

| | |
|--|--|
| | REG#:X8084 DESC:Crushing/grinding machine (general) |
| | REG#:X8085 DESC:Crusher (general) |
| | REG#:X8045 DESC:Crusher, hammer type |
| | REG#:X8046 DESC:Crusher, impact type |
| | REG#:X8047 DESC:Crusher, jaw type |
| | REG#:X8048 DESC:Crusher, roller type |
| | REG#:X8049 DESC:Crusher, cone type |
| | REG#:X8086 DESC:Mill, pulverizer (general) |
| | REG#:X8050 DESC:Mill, pulverizer hammer type |
| | REG#:X8051 DESC:Mill, impact type |
| | REG#:X8053 DESC:Mill, horizontal rotation roller type |
| | REG#:X8054 DESC:Mill, vibration type |

**GROUP 14 – SHAPING MACHINES
PROCESSING IN HORIZONTAL DIRECTION**

| | |
|--|--|
| | REG#:XC0053 DESC:Shaping machine, horizontal type (general) |
| | REG#:X8058 DESC:Extruder, screw type |
| | REG#:X8059 DESC:Extruder, piston type |

**GROUP 13 – SHAPING MACHINES
PROCESSING IN VERTICAL DIRECTION**

| | |
|--|---|
| | REG#:C0052 DESC:Shaping machine, vertical type (general) |
| | REG#:X8055 DESC:Press, roller type |
| | REG#:X8056 DESC:Press, piston type |
| | REG#:X8057 DESC:Pelletizing disc |

GROUP 12 – MIXERS, KNEADERS

| | |
|--|---|
| | REG#:X2672 DESC:In-line rotary mixer |
| | REG#:X2673 DESC:In-line static mixer |
| | REG#:X8184 DESC:Mixing path |
| | REG#:X8134 DESC:Kneader |

GROUP 16 – COMPRESSORS, VACUUM PUMPS

| | |
|--|--|
| | REG#:2302 DESC:Compressor, vacuum pump (general) |
| | REG#:X8179 DESC:Compressor, centrifugal type |
| | REG#:X8097 DESC:Compressor, vacuum pump, reciprocating piston type |
| | REG#:X8099 DESC:Compressor, vacuum pump diaphragm type |
| | REG#:X8102 DESC:Compressor, vacuum pump, turbo type |
| | REG#:X8104 DESC:Compressor, vacuum pump, roller vane type |
| | REG#:X8105 DESC:Compressor rotary type, vacuum pump, rotary piston type |
| | REG#:X8161 DESC:Compressor, screw type |
| | REG#:X8162 DESC:Compressor, vacuum pump liquid ring type |
| | REG#:X8163 DESC:Compressor, ejector type, vacuum pump jet type |

GROUP 17 – BLOWERS, FANS

| | |
|--|--|
| | REG#:X8164 DESC:Blower, fan (general) |
|--|--|

GROUP 15 – LIQUID PUMPS

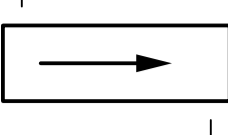
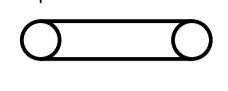
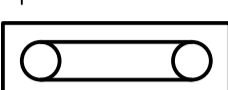
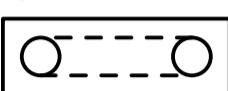
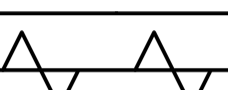
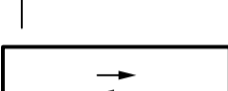
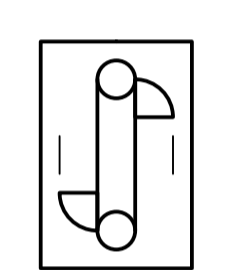
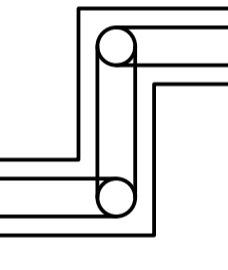
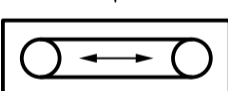
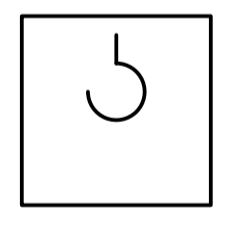
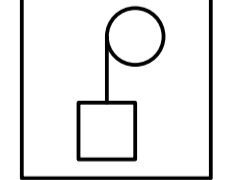
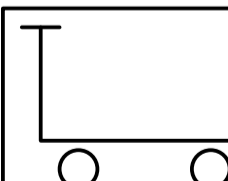
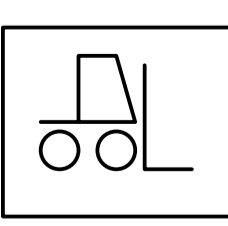
| | |
|--|---|
| | REG#:2301 DESC:Pump, liquid type (general) |
| | REG#:2322 DESC:Pump, centrifugal type |
| | REG#:8091 DESC:Pump, gear type |
| | REG#:8092 DESC:Pump, screw type |
| | REG#:8093 DESC:Pump, progressive cavity type |
| | REG#:X8094 DESC:Pump, reciprocating piston type |
| | REG#:X8095 DESC:Pump, diaphragm type |
| | REG#:X8096 DESC:Jet pump, liquid type ejector pump |

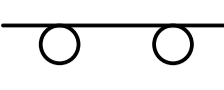
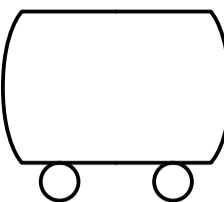
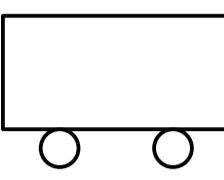
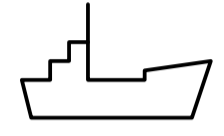

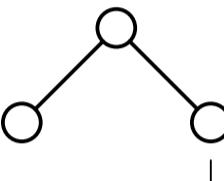
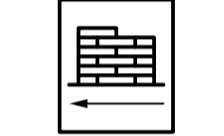
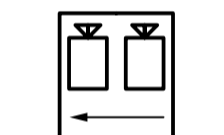
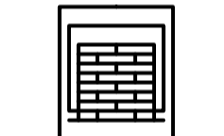
LEGEND

- ① Graphical symbol
- ② Registration number
 - nnn ISO 14617 graphical symbol
 - Cnnn ISO 14617 graphical symbol (prelim.)
 - X2nnn ISO 14617 symbol example
 - X8nnn ISO 10628-2 symbol example (other) See ISO 14617
- ③ ISO 10628-2 description
- ④ Preferred connection locations

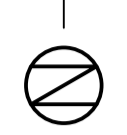
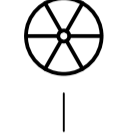
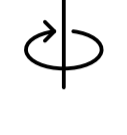


| | | |
|---|--|---|
| Legal owner Steven Baltakatei Sandoval | Document type Drawing Legend | Document status Released |
| Source https://www.wiki/dgC | Title, Supplementary title P&ID Symbols | Drawing identification number BK-2020-04-PID-1 |
| Created by SBS | Approved by License CC BY-SA 4.0 | Date of issue 2023-03-01 |
| | ISO 10628-2:2012 Groups 10-17 | Lang en |
| | | Sheet 4/7 |
| | | Rev E |

GROUP 18 – LIFTING, CONVEYING AND TRANSPORT EQUIPMENT

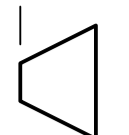
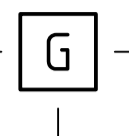
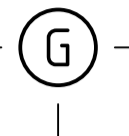
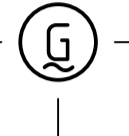
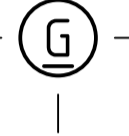
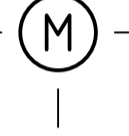
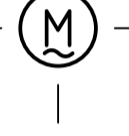
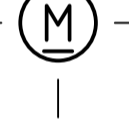
-  REG#:X8060
DESC:Conveyer (general)
-  REG#:3821
DESC:Conveyer, belt type
-  REG#:X8061
DESC:Conveyer, belt type in box
-  REG#:X8062
DESC:Conveyer, chain type, closed
-  REG#:8063
DESC:Conveyer, screw type, closed
-  REG#:X8064
DESC:Conveyer, vibrating type, closed
-  REG#:X8065
DESC:Elevator, bucket type
-  REG#:X8066
DESC:Elevator, bucket type Z-form
-  REG#:X8175
DESC:Conveyer, belt type, reversible
-  REG#:3841
DESC:Crane
-  REG#:3842
DESC:Lift
-  REG#:C0094
DESC:Forklift, manually operated
-  REG#:3862
DESC:Forklift truck

-  REG#:3871
DESC:Industrial truck (general)
-  REG#:3874
DESC:Tank car, tank wagon
-  REG#:3872
DESC:Box truck
-  REG#:3881
DESC:Ship
-  REG#:X8142
DESC:Roller Conveyer
-  REG#:X8143
DESC:Loading arm
-  REG#:X8145
DESC:Palletizer
-  REG#:X8146
DESC:Bag filling machine
-  REG#:X8144
DESC:Protective palette covering

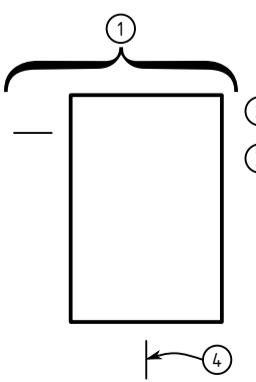
GROUP 19 – PROPORTIONERS, FEEDERS AND DISTRIBUTION FACILITIES

-  REG#:C2056
DESC:Proportional feeder (general)
-  REG#:X8067
DESC:Proportional feeder, rotary valve type
-  REG#:C0074
DESC:Feeder, rotary table type
-  REG#:C0035
DESC:Proportional feeder, metering type
-  REG#:2037
DESC:Spray nozzle

GROUP 20 – ENGINES

-  REG#:2571
DESC:Turbine (general)
-  REG#:X8167
DESC:Gear
-  REG#:C0079
DESC:Generator (general)
-  REG#:X8154
DESC:Generator, AC
-  REG#:X8155
DESC:Generator, DC
-  REG#:C0082
DESC:Electric motor (general)
-  REG#:X8157
DESC:Electric motor, AC
-  REG#:X8158
DESC:Electric motor, DC

LEGEND

| | |
|---|--|
|  | <ul style="list-style-type: none"> ① Graphical symbol ② Registration number <ul style="list-style-type: none"> n n n ISO 14617 graphical symbol C n n n ISO 14617 graphical symbol (prelim.) X 2 n n n ISO 14617 symbol example X 8 n n n ISO 10628-2 symbol example (other) See ISO 14617 ③ ISO 10628-2 description ④ Preferred connection locations |
|---|--|

| | | | |
|---|----------------------|---|-----------------------------|
| Legal owner Steven Baltakatei Sandoval | | Document type Drawing Legend | Document status Released |
| Source https://wiki/dgD | | Drawing identification number BK-2020-04-PID-1 | |
| Created by SBS | Approved by ----- | License CC BY-SA 4.0 | Date of issue 2023-03-01 |
| | | ISO 10628-2:2012 Groups 18-20 | Lang en |
| | | | Sheet 5/7 |
| | | | Rev D |

GROUP 21 – VALVE

| | |
|--|---|
| | REG#:2101 DESC:Valve (general) |
| | REG#:2102 DESC:Valve, angle type (general) |
| | REG#:2103 DESC:Valve, three way type (general) |
| | REG#:X8068 DESC:Valve, globe type |
| | REG#:X8069 DESC:Valve, angle globe type |
| | REG#:X8070 DESC:Valve, three way globe type |
| | REG#:X8071 DESC:Valve, ball type |
| | REG#:X8072 DESC:Valve, angle ball type |
| | REG#:X8073 DESC:Valve, three way ball type |
| | REG#:X8074 DESC:Valve, gate type |
| | REG#:X8075 DESC:Valve, butterfly type (Form 1) |
| | REG#:X8075 DESC:Valve, butterfly type (Form 2) |
| | REG#:X8076 DESC:Valve, needle type |
| | REG#:X8087 DESC:Valve, control type, continuously operated |

GROUP 22 – CHECK VALVE

| | |
|--|---|
| | REG#:X8077 DESC:Check valve (general) |
| | REG#:X2113 DESC:Check valve globe type |
| | REG#:X8078 DESC:Swing check valve (Form 1) |
| | REG#:X8165 DESC:Swing check valve (Form 2) |

GROUP 23 – VALVES AND FITTINGS WITH SAFETY FUNCTIONS

| | |
|--|---|
| | REG#:X2124 DESC:Safety valve, spring loaded, globe type |
| | REG#:X2125 DESC:Safety valve, spring loaded, globe angle type |
| | REG#:X8080 DESC:Rupture disc |
| | REG#:2036 DESC:Flame arrestor |
| | REG#:C0087 DESC:Flame arrestor, explosion-proof |
| | REG#:C0088 DESC:Flame arrestor detonation-proof |
| | REG#:C0091 DESC:Flame arrestor fire-resistant |
| | REG#:C0089 DESC:Fire-resistant and detonation-proof flame arrestor out to the atmosphere |
| | REG#:X8088 DESC:Breather valve |
| | REG#:2034 DESC:Viewing glass |
| | REG#:X8089 DESC:Viewing glass with lighting |

GROUP 24 – FITTINGS

| | |
|--|--|
| | REG#:2033 DESC:Silencer |
| | REG#:C0093 DESC:Mixing nozzle, injector |
| | REG#:533 DESC:Compensator |
| | REG#:X8090 DESC:Strainer |
| | REG#:X8150 DESC:Cone type strainer |

| | |
|--|--|
| | REG#:C0096 DESC:Orifice plate |
| | REG#:C0097 DESC:Blind disc |
| | REG#:C0098 DESC:Open disc |
| | REG#:2044 DESC:Interchangeable disc (blind disc) |
| | REG#:2045 DESC:Interchangeable disc (open disc in function) |
| | REG#:2039 DESC:Vent (outlet to atmosphere for steam/gas) |
| | REG#:2040 DESC:Funnel |
| | REG#:2181 DESC:Self-operating release valve (steam trap) |
| | REG#:511 DESC:Flanged connection |
| | REG#:516 DESC:Reducer |
| | REG#:X411 DESC:Hose |
| | REG#:C0100 DESC:Coupling |
| | REG#:513 DESC:Clamped flange coupling |
| | REG#:C0108 DESC:Breakthrough |
| | REG#:517 DESC:Flanged dummy cover |
| | REG#:X8152 DESC:Single flange |
| | REG#:X8153 DESC:Dummy cover |

GROUP 25 – GRAPHICAL SYMBOLS FOR PIPING

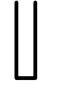

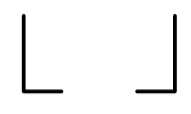
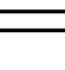
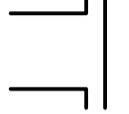
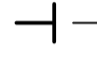
| | |
|--|---|
| | REG#:405 DESC:Pipeline |
| | REG#:X8156 DESC:Secondary pipeline |
| | REG#:241 DESC:Flowmotion in direction of arrow |
| | REG#:3061 DESC:Slope |
| | REG#:2038 DESC:Siphon |
| | REG#:C0106 DESC:Tracer for heating or cooling |
| | REG#:X409 DESC:Jacked pipeline |
| | REG#:X8174 DESC:Piping, heated or cooled and insulated |
| | REG#:X322 DESC:Pipeline with thermal insulation |

LEGEND

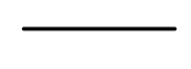
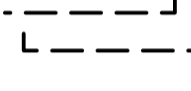
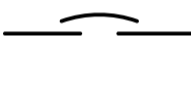
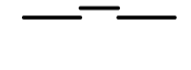
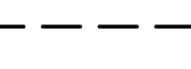
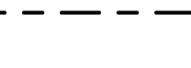
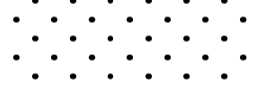
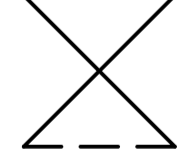
- ① Graphical symbol
- ② Registration number
- nnn ISO 14617 graphical symbol
- Cnnn ISO 14617 graphical symbol (prelim.)
- X2nnn ISO 14617 symbol example
- X8nnn ISO 10628-2 symbol example (other) See ISO 14617
- ③ ISO 10628-2 description
- ④ Preferred connection locations

| | | |
|---|--|---|
| Legal owner Steven Baltakatei Sandoval | Document type Drawing Legend | Document status Released |
| Source https://w.wiki/dgE | Title, Supplementary title P&ID Symbols | Drawing identification number BK-2020-04-PID-1 |
| Created by SBS | License CC BY-SA 4.0 | Date of issue 2023-08-19 |
| Approved by | ISO 10628-2:2012 Groups 21-25 | Lang en |
| | | Sheet 6/7 |
| | | Rev E |


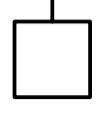
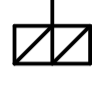
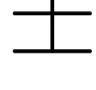




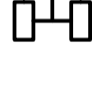
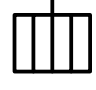
GROUP 26 – APPARATUS ELEMENTS

| | |
|---|--|
|  | REG#:C2005 DESC:Support leg |
|  | REG#:C2006 DESC:Support bracket |
|  | REG#:C2007 DESC:Support skirt |
|  | REG#:C2008 DESC:Support ring |
|  | REG#:X8159 DESC:Manhole |
|  | REG#:X8160 DESC:Socket, connection nozzle |


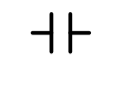

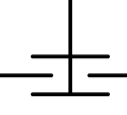



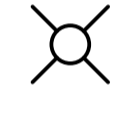
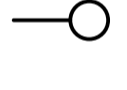



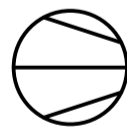
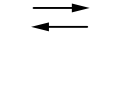
GROUP 27 – INTERNALS

| | |
|---|---|
|  | REG#:C2044 DESC:Tray (general) |
|  | REG#:X8166 DESC:Tray with baffle |
|  | REG#:C2010 DESC:Tray, bubble-cap type |
|  | REG#:C2011 DESC:Tray, valve type |
|  | REG#:2602 DESC:Sieve tray, screen or sieve element |
|  | REG#:C2047 DESC:Filter insert (general) |
|  | REG#:2604 DESC:Fluidized bed |
|  | REG#:X8141 DESC:packing |

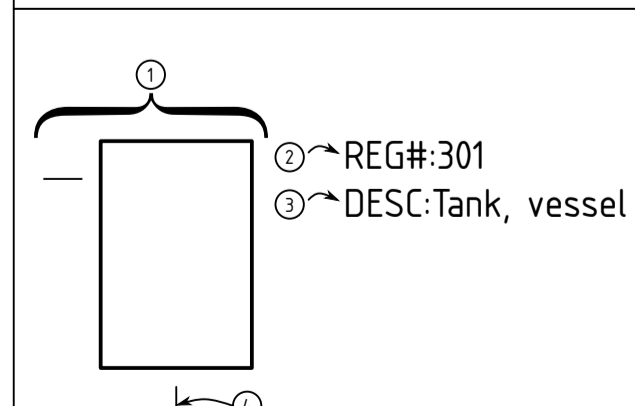
GROUP 28 – AGITATORS, STIRRERS

| | |
|---|---|
|  | REG#:2672 DESC:Agitator (general), stirrer (general) |
|  | REG#:C2019 DESC:Agitator, flat blade paddle type |
|  | REG#:C2020 DESC:Agitator, gat paddle type |
|  | REG#:C2021 DESC:Agitator, cross-beam type |
|  | REG#:C2022 DESC:Agitator, anchor type |
|  | REG#:C2023 DESC:Agitator, helical type |
|  | REG#:C2024 DESC:Agitator, impeller type |
|  | REG#:C2025 DESC:Agitator, propeller type |
|  | REG#:C2026 DESC:Agitator, disc type |
|  | REG#:C2027 DESC:Agitator, turbine type |

GROUP 29 – INTERNAL CHARACTERISTICS AND BUILT-IN COMPONENTS

| | |
|---|--|
|  | REG#:C2028 DESC:Gravity type, settling type |
|  | REG#:C2030 DESC:Electrostatic type |
|  | REG#:C2031 DESC:Electromagnetic type |
|  | REG#:C2033 DESC:Disc type |
|  | REG#:C0240 DESC:Crushing |
|  | REG#:C024 DESC:Gear type, gearwheels type |
|  | REG#:C2034 DESC:Hammer type |
|  | REG#:C2035 DESC:Impact type |
|  | REG#:C2036 DESC:Jaw type |
|  | REG#:321 DESC:Liquid type, wet type |
|  | REG#:C2037 DESC:Roller type |
|  | REG#:C2038 DESC:Cone type |
|  | REG#:X8176 DESC:Jet type |
|  | REG#:3831 DESC:Vibration type |

LEGEND



- ① Graphical symbol
- ② Registration number
 - nnn ISO 14617 graphical symbol
 - Cnnn ISO 14617 graphical symbol (prelim.)
 - X2nnn ISO 14617 symbol example
 - X8nnn ISO 10628-2 symbol example (other) See ISO 14617
- ③ ISO 10628-2 description
- ④ Preferred connection locations

| | | |
|---|---|---|
| Legal owner Steven Baltakatei Sandoval | Document type Drawing Legend | Document status Released |
| Source https://www.wiki/dgF | Drawing identification number P&ID Symbols | Drawing identification number BK-2020-04-PID-1 |
| Created by SBS | Approved by ----- | Date of issue 2023-03-01 |
| | License CC BY-SA 4.0 | Lang en |
| | ISO 10628-2:2012 Groups 26-29 | Sheet 7/7 |
| | | Rev D |