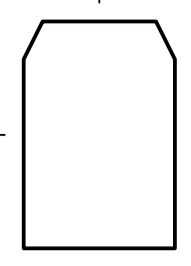

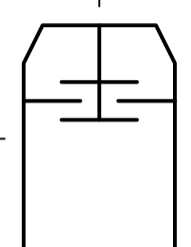
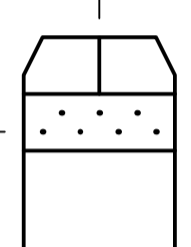
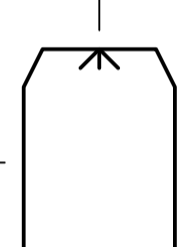
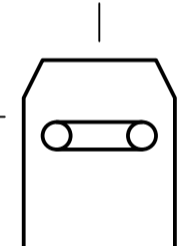
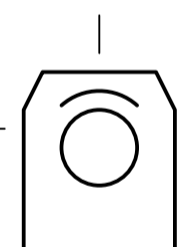
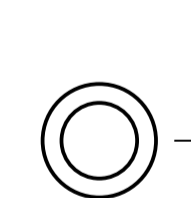
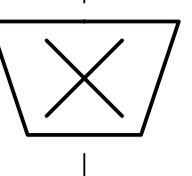
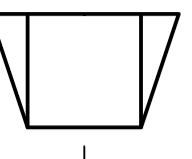
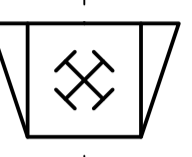
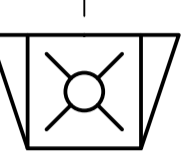
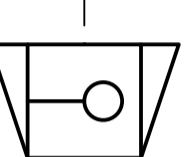
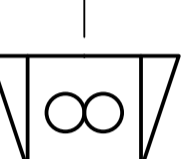
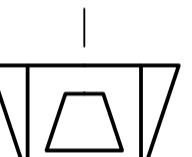
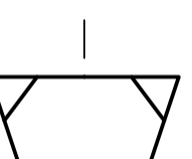
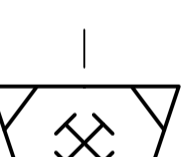
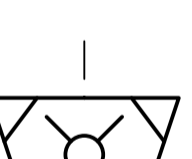

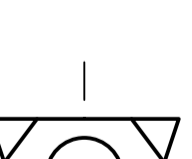


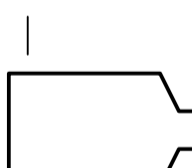
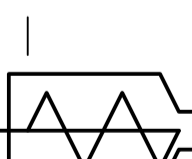
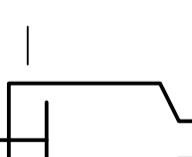
GROUP 10 – DRIER

-  REG#:C0046
DESC:Drier (general)
-  REG#:X8083
DESC:Drying oven, drying chamber, shelf drier
-  REG#:X8040
DESC:Turbo drier, disc drier, moving shelf drier
-  REG#:X8041
DESC:Fluidized bed drier
-  REG#:X8042
DESC:Spray drier
-  REG#:X8043
DESC:Belt drier, roller-conveyer type driver
-  REG#:X8044
DESC:Rotary drum drier, rotary drier, tumbling drier
-  REG#:C0016
DESC:Heat consumer

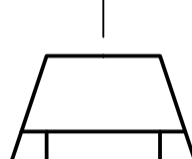
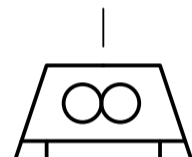
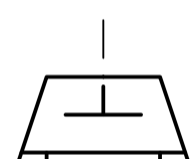
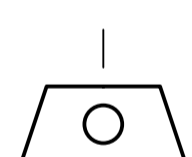
GROUP 11 – CRUSHING/GRINDING MACHINES

-  REG#:X8084
DESC:Crushing/grinding machine (general)
-  REG#:X8085
DESC:Crusher (general)
-  REG#:X8045
DESC:Crusher, hammer type
-  REG#:X8046
DESC:Crusher, impact type
-  REG#:X8047
DESC:Crusher, jaw type
-  REG#:X8048
DESC:Crusher, roller type
-  REG#:X8049
DESC:Crusher, cone type
-  REG#:X8086
DESC:Mill, pulverizer (general)
-  REG#:X8050
DESC:Mill, pulverizer hammer type
-  REG#:X8051
DESC:Mill, impact type
-  REG#:X8053
DESC:Mill, horizontal rotation roller type
-  REG#:X8054
DESC:Mill, vibration type

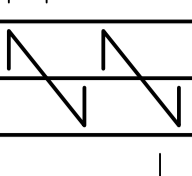
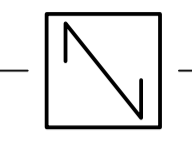
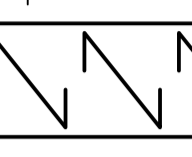
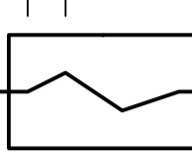
**GROUP 14 – SHAPING MACHINES
PROCESSING IN HORIZONTAL DIRECTION**

-  REG#:XC0053
DESC:Shaping machine, horizontal type (general)
-  REG#:X8058
DESC:Extruder, screw type
-  REG#:X8059
DESC:Extruder, piston type

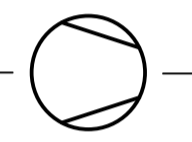
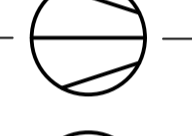
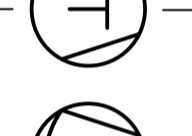
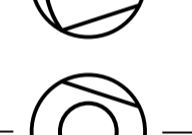
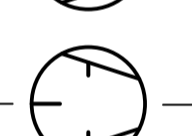
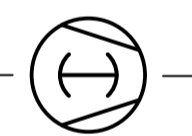

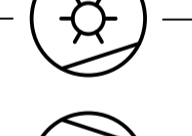
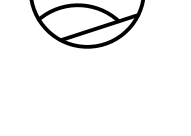

**GROUP 13 – SHAPING MACHINES
PROCESSING IN VERTICAL DIRECTION**

-  REG#:C0052
DESC:Shaping machine, vertical type (general)
-  REG#:X8055
DESC:Press, roller type
-  REG#:X8056
DESC:Press, piston type
-  REG#:X8057
DESC: Pelletizing disc

GROUP 12 – MIXERS, KNEADERS

-  REG#:X2672
DESC:In-line rotary mixer
-  REG#:X2673
DESC:In-line static mixer
-  REG#:X8184
DESC:Mixing path
-  REG#:X8134
DESC:Kneader

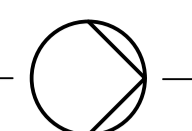
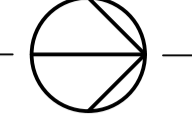
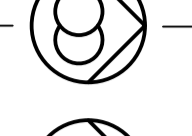
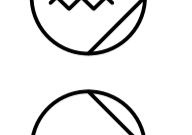
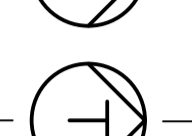
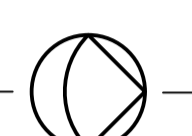

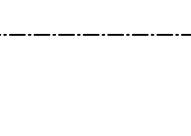
GROUP 16 – COMPRESSORS, VACUUM PUMPS

-  REG#:2302
DESC:Compressor, vacuum pump (general)
-  REG#:X8179
DESC:Compressor, centrifugal type
-  REG#:X8097
DESC:Compressor, vacuum pump, reciprocating piston type
-  REG#:X8099
DESC:Compressor, vacuum pump diaphragm type
-  REG#:X8102
DESC:Compressor, vacuum pump, turbo type
-  REG#:X8104
DESC:Compressor, vacuum pump, roller vane type
-  REG#:X8105
DESC:Compressor rotary type, vacuum pump, rotary piston type
-  REG#:X8161
DESC:Compressor, screw type
-  REG#:X8162
DESC:Compressor, vacuum pump liquid ring type
-  REG#:X8163
DESC:Compressor, ejector type, vacuum pump jet type

GROUP 17 – BLOWERS, FANS

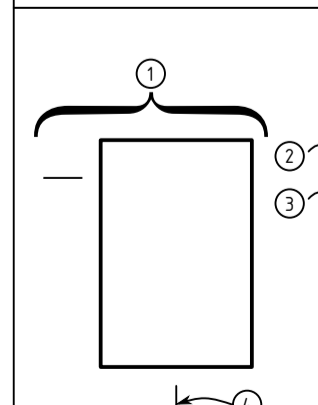
-  REG#:X8164
DESC:Blower, fan (general)

GROUP 15 – LIQUID PUMPS

-  REG#:2301
DESC:Pump, liquid type (general)
-  REG#:2322
DESC:Pump, centrifugal type
-  REG#:8091
DESC:Pump, gear type
-  REG#:8092
DESC:Pump, screw type
-  REG#:8093
DESC:Pump, progressive cavity type
-  REG#:X8094
DESC:Pump, reciprocating piston type
-  REG#:X8095
DESC:Pump, diaphragm type
-  REG#:X8096
DESC:Jet pump, liquid type ejector pump

LEGEND

- ① Graphical symbol
- ② Registration number
 - nnn ISO 14617 graphical symbol
 - Cnnn ISO 14617 graphical symbol (prelim.)
 - X2nnn ISO 14617 symbol example
 - X8nnn ISO 10628-2 symbol example (other) See ISO 14617
- ③ ISO 10628-2 description
- ④ Preferred connection locations



Legal owner Steven Baltakatei Sandoval		Document type Drawing Legend	Document status Released
Source https://www.wiki/dgC		Title, Supplementary title P&ID Symbols	Drawing identification number BK-2020-04-PID-1
Created by SBS	Approved by -----	License CC BY-SA 4.0	Date of issue 2023-03-01
		ISO 10628-2:2012 Groups 10-17	Lang en
			Sheet 4/7
			Rev E